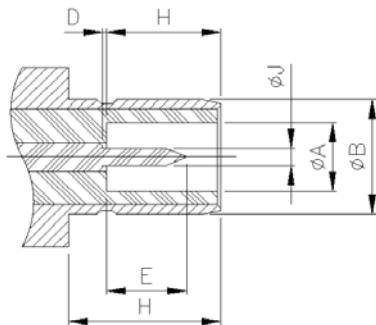


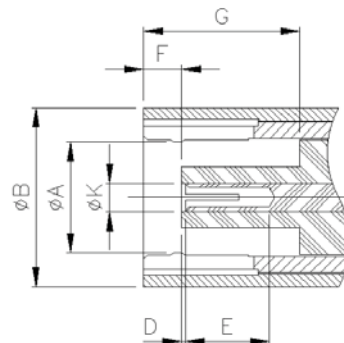


## ▶ INTERFACE DIMENSIONS

### PLUG



### JACK

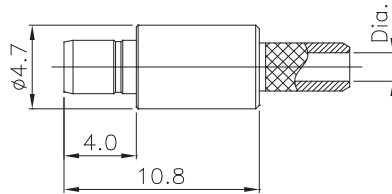


Rep.	PLUG				JACK			
	mm		inch		mm		inch	
	min.	max.	min.	max.	min.	max.	min.	max.
A	1.75	1.85	0.069	0.073	2.45	2.55	0.096	0.100
B	2.95	3.05	0.116	0.120	4.95	4.98	0.195	0.196
C								
D	0.10	0.25	0.004	0.010	0.10	0.25	0.004	0.010
E	2.05	2.15	0.081	0.085	2.450	2.550	0.096	0.100
F					0.92	1.02	0.036	0.040
G	3.85	3.95	0.152	0.156	3.95	4.05	0.156	0.159
H	2.95	3.05	0.116	0.120				
I	0.43	0.45	0.017	0.018				
K					0.73	0.77	0.029	0.030

## ▶ TECHNICAL DATA

REQUIREMENT		SPECIFICATIONS																															
<b>ELECTRICAL</b>																																	
Normal Impedance	50Ω																																
Frequency Range	DC~4GHz																																
V.S.W.R	<table border="1"> <thead> <tr> <th>Frequency (GHz)</th> <th>1</th> <th>2</th> <th>3</th> <th>Cable Type</th> </tr> </thead> <tbody> <tr> <th>V.S.W.R</th> <td></td> <td></td> <td></td> <td></td> </tr> <tr> <td rowspan="2">Straight Type</td> <td>1.08</td> <td>1.13</td> <td>1.18</td> <td>UT-085TP</td> </tr> <tr> <td>1.08</td> <td>1.07</td> <td>1.10</td> <td>UT-316</td> </tr> <tr> <td rowspan="2">Right Angle Type</td> <td></td> <td></td> <td></td> <td>UT-141TP</td> </tr> <tr> <td></td> <td></td> <td></td> <td>UT-085TP</td> </tr> </tbody> </table>					Frequency (GHz)	1	2	3	Cable Type	V.S.W.R					Straight Type	1.08	1.13	1.18	UT-085TP	1.08	1.07	1.10	UT-316	Right Angle Type				UT-141TP				UT-085TP
Frequency (GHz)	1	2	3	Cable Type																													
V.S.W.R																																	
Straight Type	1.08	1.13	1.18	UT-085TP																													
	1.08	1.07	1.10	UT-316																													
Right Angle Type				UT-141TP																													
				UT-085TP																													
Insertion Loss	$0.2\sqrt{f(GHz)} dB$																																
Contact Resistance	Inner Conductor		6mΩ max.																														
	Outer Conductor		1mΩ max.																														
Insulation Resistance	1000mΩmin.																																
<b>Mechanical</b>																																	
Body : Force to engage	1.8~14 lbs max.																																
Force to disengage	1.8~14 lbs max.																																
Contact : Insulation Force	2.5 lbs max.																																
Withdrawal Force	1oz min.																																
Connector Durability	500cycle																																
<b>Environmental</b>																																	
Vibration	MIL-STD-202, method 204, test condition D																																
Shock	MIL-STD-202, method 213, test condition B																																
Thermal Shock	MIL-STD-202, method 107, test condition C																																
Corrosion(Salt spray)	MIL-STD-202, method 101, test condition B																																
Moisture Resistance	MIL-STD-202, method 106																																
<b>Material</b>																																	
Body	Brass																																
Center Contact : Male	Brass																																
Female	Beryllium Copper																																
Insulator	PTFE Teflon																																
Gasket	Silicon Rubber																																
<b>Finish</b>																																	
Body	Gold																																
Center Contact	Gold over Nickel																																

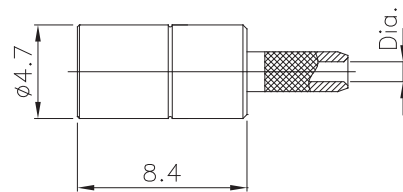
# SMF



## Straight Plugs

### ■ Crimp Type

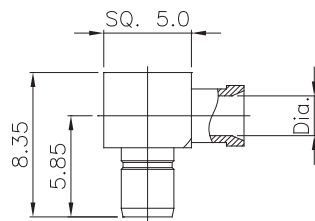
PART NO.	Dia.	CABLE
S325-278	Ø1.0	RG 178
S325-282	Ø1.55(Ø1.7)	RG 316(RG174)



## Straight Jacks

### ■ Crimp Type

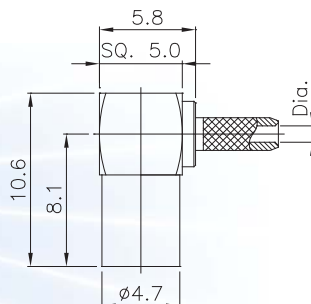
PART NO.	Dia.	CABLE
S325-294	Ø1.0	RG 178
S325-296	Ø1.55(Ø1.7)	RG 316(RG174)



## Right Angle Plugs

### ■ Direct Solder type

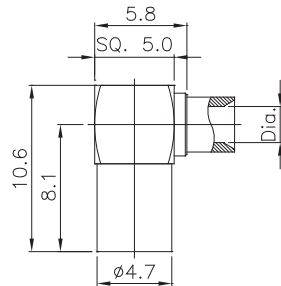
PART NO.	Dia.	CABLE
S325-302	Ø1.4	UT-047
S325-315	Ø2.3	UT-085



## Right Angle Jacks

### ■ Crimp Type

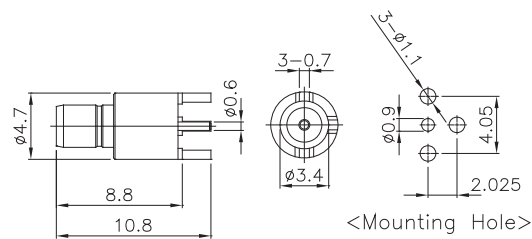
PART NO.	Dia.	CABLE
S325-299	Ø1.0	RG 178
S325-297	Ø1.55(Ø1.7)	RG 188, 316



## Right Angle Jacks

- Direct Solder type

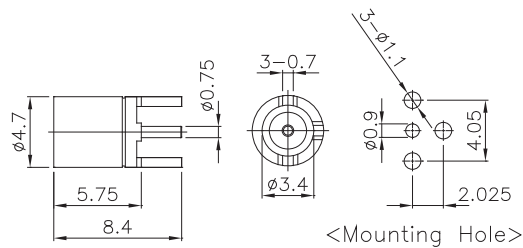
PART NO.	Dia.	CABLE
S325-297-B	Ø1.4	UT-047
S325-297-A	Ø2.3	UT-085



## Straight Plug for PCB

- P.C.B mount

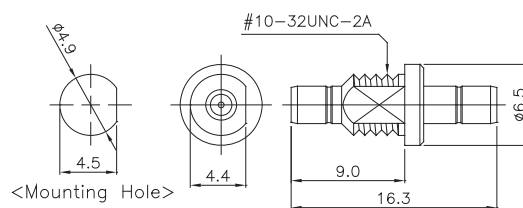
PART NO.	IMPED
S325-274-01	50 Ω



## Straight Jack for PCB

- P.C.B mount

PART NO.	IMPED
S325-280-A	50 Ω



## Plug To Plug Bulkhead Adaptor

- Panel mount

PART NO.	IMPED
S325-280-A	50 Ω