

DIN 1.0/2.3

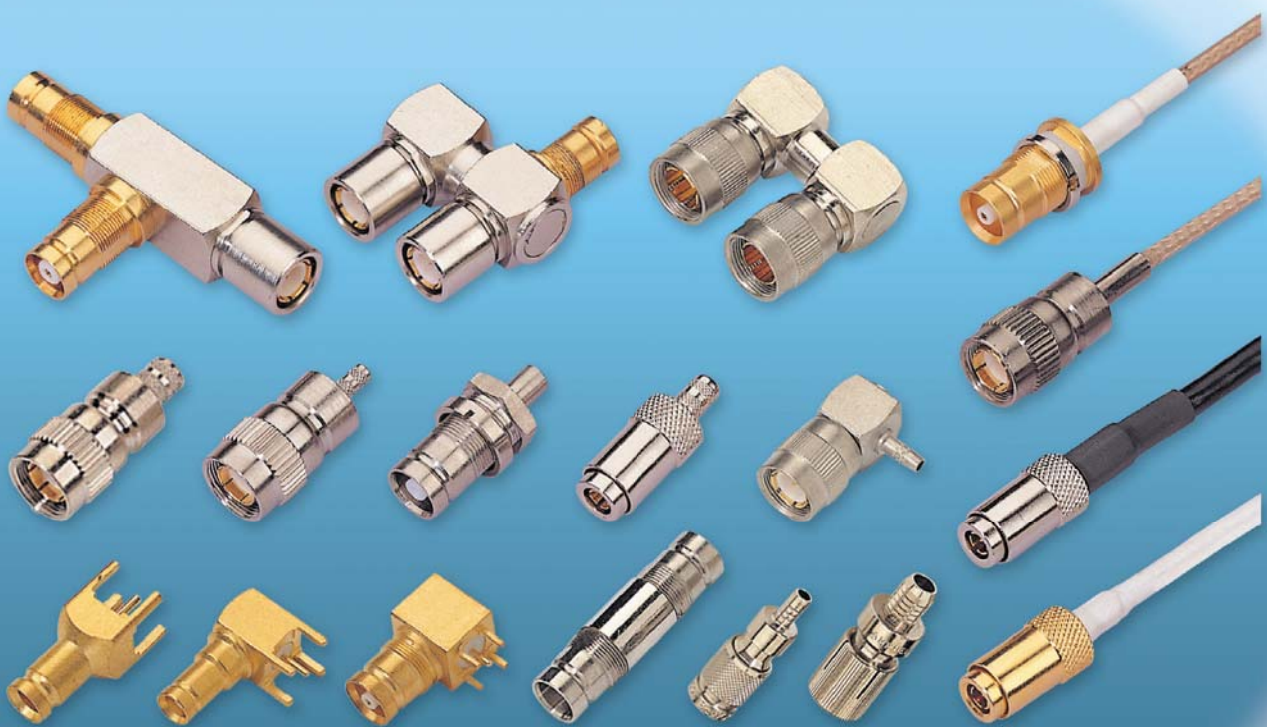
► DESCRIPTIONS

The (1.0/2.3) series are through construction and materials especially suited for instruments, where highest reliability is required, for instance in telecommunication systems.

Three different devices are available: screw-on, slide-on coupling where as the sockets are of same design for all systems.

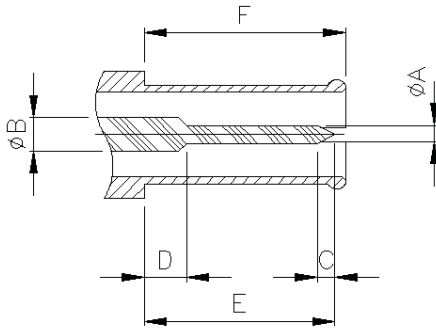
► GENERAL

- DIN 47297 (1/0/2.3)

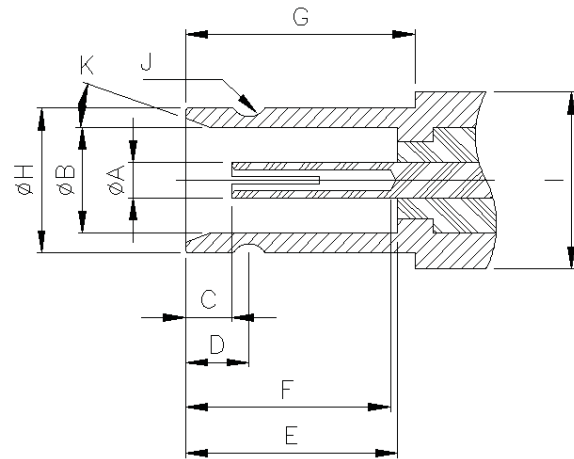


► INTERFACE DIMENSIONS

PLUG



JACK



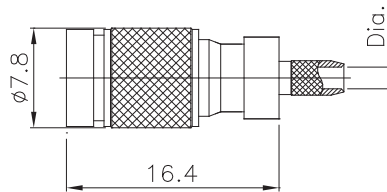
Rep.	PLUG				JACK			
	mm		inch		mm		inch	
	min.	max.	min.	max.	min.	max.	min.	max.
A	0.475	0.520	0.019	0.020	1.000 nom.		0.039 nom.	
B	1.000 nom.		0.039 nom.		3.000	3.060	0.118	0.120
C		0.400		0.016	1.150	1.750	0.045	0.069
D		1.150		0.045	1.800	1.900	0.071	0.075
E		5.500		0.217	5.800	5.900	0.228	0.232
F	5.400	5.700	0.213	0.224	5.500		0.217	
G					6.400	6.500	0.252	0.256
H					4.030	4.150	0.159	0.163
I					M5.5X0.5P			
J					0.800		0.031	
K					28°	32°	28°	32°

DIN 1.0/2.3

► TECHNICAL DATA

REQUIREMENT		SPECIFICATIONS	
ELECTRICAL CHARACTERISTICS			
Impedance		50 ohm	75 ohm
Frequency range		10 GHz	500 MHz
Working voltage		350V rms	
Insulation resistance		500 Mohm min.	
Contact resistance		Initial	After
	Center contact	6.0 mohm	8.0 mohm
	Outer contact	3.0 mohm	4.0 mohm
Max. Contact current (DC)		1.5 A max.	
Dielectric withstanding voltage		1000V/50Hz	
Mechanical and Environmental Characteristics			
Engagement force		20 N	
Separation force		72 N	
Life time		500 matings	
Enviromental Characteristics			
Operating temperature range	Standard	-55°C+155°C	
Materials			
Bodies and ferrule		Brass	
Contacts(Female)		Beryllium copper	
Contacts(Male)		Brass	
Insulators		PTFE (Teflon)	
Plating			
Bodies		Gold Plated or Nickel Plated	
Center contacts		Gold Plated	

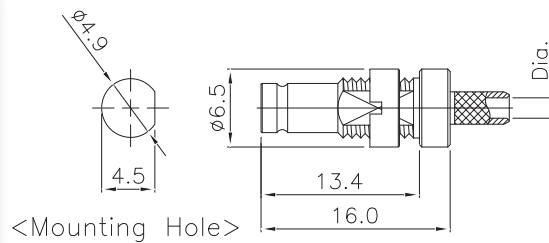
DIN 1.0/2.3



Straight Plugs

- Crimp Type
- Positive Lock type

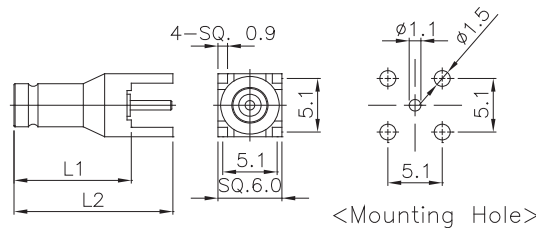
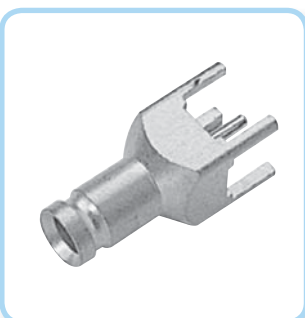
PART NO	Dia.	CABLE
S560-001	Ø1.55	RG 188, 316
S319-002	Ø1.7	RG 179
S319-002-A	Ø2.6	8218



Straight Bulkhead Jacks

- Crimp Type

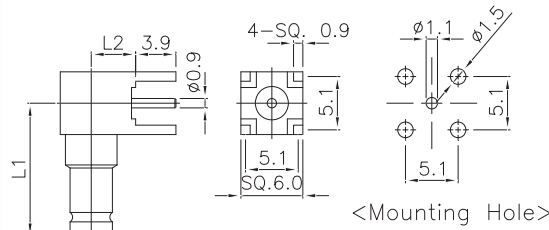
PART NO	Dia.	CABLE
S560-002	Ø1.55	RG 188, 316
S760-003	Ø1.7	RG 179
S760-004	Ø2.6	8218



Straight Jack Receptacle

- PCB Type

PART NO	L1	L2
S560-101	11.0mm	14.9mm
S760-101		14.9mm



Right Angle Jack Receptacle

- PCB Type

PART NO	L1	L2
S560-102	12.7mm	4.3mm
S560-107	20.0mm	13.3mm