

# C

## ► DESCRIPTIONS

C connectors are medium size RF connectors with two-stud bayonet mechanism which allows quick and easy coupling and decoupling. The C connectors provide 50ohm impedance and the frequency range is specified for applications up to 11GHz.

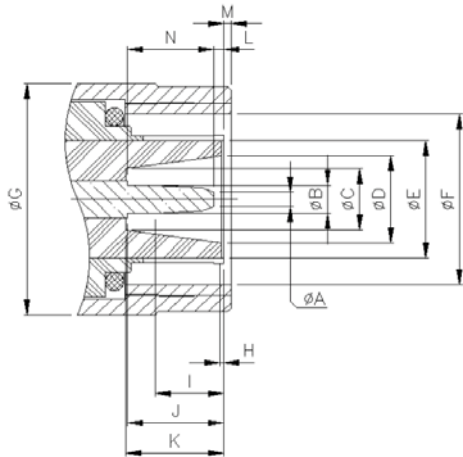
## ► Applications

- Defence
- Instrumentation
- Airframe

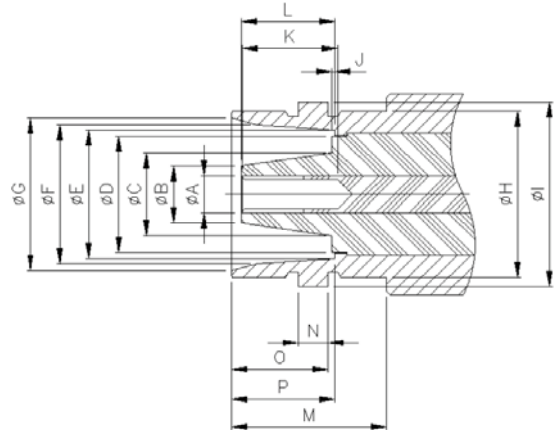


► INTERFACE DIMENSIONS

PLUG



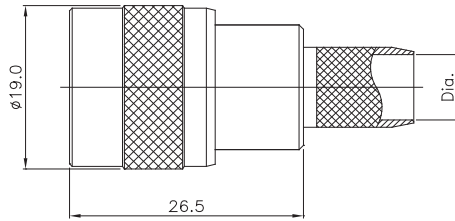
JACK



Rep.	PLUG				JACK			
	mm		inch		mm		inch	
	min.	max.	min.	max.	min.	max.	min.	max.
A		1.270		0.050	3.023	3.150	0.119	0.124
B	2.286	2.337	0.090	0.092		4.826		0.190
C	4.928		0.194			6.909		0.272
D	7.010		0.276			9.500		0.374
E	9.576		0.377		10.439	10.541	0.411	0.415
F	13.792	13.945	0.543	0.549	11.176	11.430	0.440	0.450
G		19.837		0.781	12.319	12.573	0.485	0.495
H	0.178		0.007		13.462	13.716	0.530	0.540
I	4.851	6.375	0.191	0.251	14.986	15.240	0.590	0.600
J	7.798	8.560	0.307	0.337		0.178		0.007
K	7.849		0.309		7.620		0.300	
L	0.076	1.016	0.003	0.040	0.000	7.849		0.309
M		2.159		0.085	12.573		0.495	
N	7.544	7.722	0.297	0.304	2.235	2.489	0.088	0.098
O					7.798	7.950	0.307	0.313
P					8.433	8.585	0.332	0.338

## ▶ TECHNICAL DATA

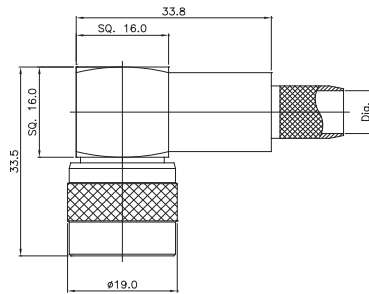
REQUIREMENT	SPECIFICATIONS
<b>ELECTRICAL CHARACTERISTICS</b>	
Impedance	50Ω
Frquency range	DC~11GHz
Working voltage	1kVrms at 50Hz
Dielectric withstanding voltage	3kVrms at 50Hz
Insulation resistance	5000Mohm min.
Contact resistance	
- Center contact	1mohm Max.
- Outer contact	1mohm Max.
<b>MECHANICAL CHARACTERISTICS</b>	
Durability(life time)	500 matings min.
<b>MATERIALS</b>	
Body	Brass
Center contact	Brass
Outer contact	Brass
Insulator	PTFE
Gasket	Silicone rubber
<b>PLATING</b>	
body	Nickel
Center contact	Gold
<b>ENVIRONMENTAL</b>	
Temperature range	-65℃ ~ +165℃
Corrosion	MIL-STD-202, method 101, condition B



### Straight Plugs

- Crimp Type

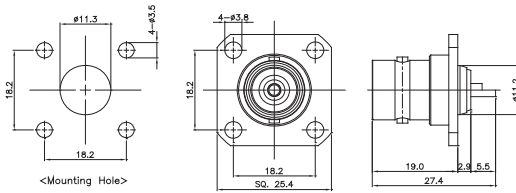
PART NO.	Dia.	CABLE
S337-002	Ø7.6	RG 214, 393



### Right Angle Plugs

- Crimp Type

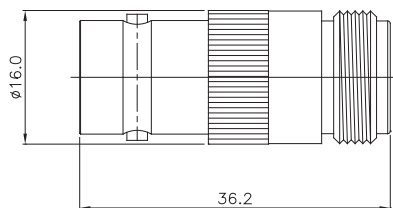
PART NO.	Dia.	CABLE
S337-100	Ø7.6	RG 214, 393



### Straight 4 Hole Flange Jack

- Solder Cup Terminal

PART NO.	IMPED
S337-2001	50 Ω



### C Jack to N Jack Adaptor

PART NO.	IMPED
S500-1254	50 Ω