

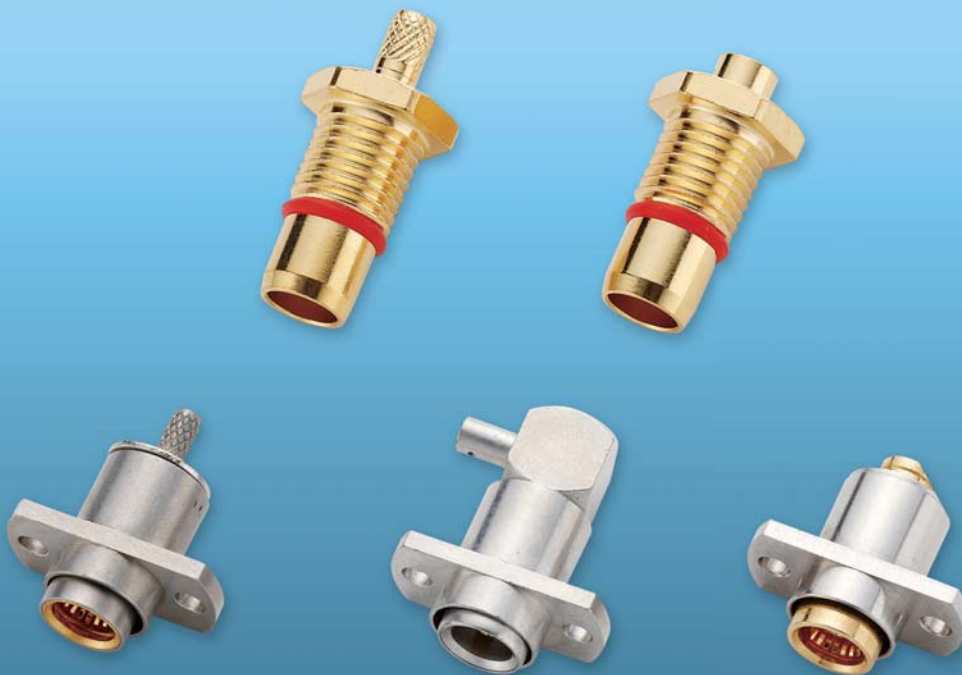
► DESCRIPTIONS

The BMA blindmate connectors are designed for blindmate applications up to 18GHz.

They have a slide-on interface which ensures frequent matings and allows it to be used in applications where several RF connectors need to be mated simultaneously.

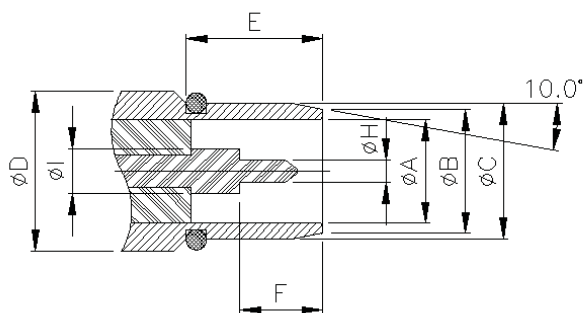
'Float' mounting system can be used in axial or radial misalignment taken out by the outer contact of the jacks.

They are mostly used in test and measurement equipment, military radar equipment and wireless base station equipment.

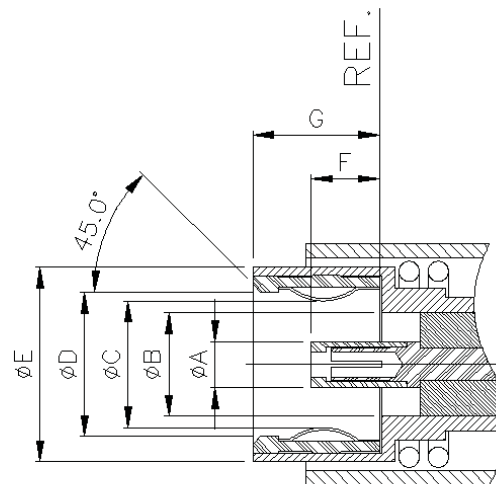


► INTERFACE DIMENSIONS

PLUG



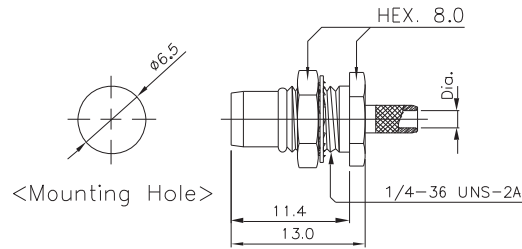
JACK



| Rep. | PLUG | | | | JACK | | | |
|------|-----------|------|------------|-------|-----------|------|------------|-------|
| | mm | | inch | | mm | | inch | |
| | min. | max. | min. | max. | min. | max. | min. | max. |
| A | 4.09 nom. | | .161 nom. | | 1.78 nom. | | 0.070 nom. | |
| B | 4.88 nom. | | .192 nom. | | 4.09 nom. | | .161 nom. | |
| C | 5.31 | 5.35 | 0.209 | 0.211 | | 5.08 | | 0.200 |
| D | 7.62 nom. | | .300 nom. | | 5.71 | | 0.225 | |
| E | 5.03 | | 0.198 | | 7.37 | | 0.290 | |
| F | 3.25 | | 0.128 | | 3.05 | 3.23 | 0.120 | 0.127 |
| G | 2.29 nom. | | 0.090 nom. | | | 5.03 | | 0.198 |
| H | 0.90 | 0.94 | 0.035 | 0.037 | | | | |
| I | 1.78 nom. | | .070 nom. | | | | | |

► TECHNICAL DATA

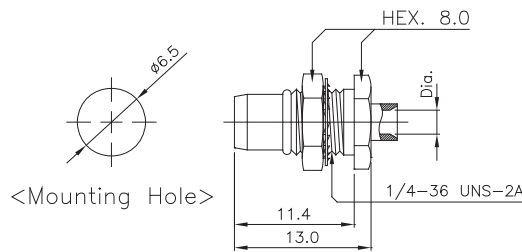
| REQUIREMENT | SPECIFICATIONS |
|--------------------------------------|--------------------------|
| ELECTRICAL CHARACTERISTICS | |
| IMPEDANCE | 50ohm |
| FREQUENCY RANGE | DC~18GHz |
| RF LEAKAGE | 70dB MIN. |
| DIELECTRIC WITHSTANDING VOLTAGE | 1kV rms, 50Hz |
| INSULATION RESISTANCE | 5000Mohm MIN. |
| CONTACT RESISTANCE | 2mohm MAX. |
| MECHANICAL CHARACTERISTICS | |
| ENGAGEMENT FORCE | 13.5N MAX. |
| DISENGAGEMENT FORCE | 2N MIN. |
| CONTACT CAPTIVATION | 27N MIN. |
| DURABILITY(LIFE TIME) | 500MATINGS |
| ENVIRONMENTAL CHARACTERISTICS | |
| TEMPERATURE RANGE | -65℃ ~ +125℃ |
| MATERIAL DATA | |
| BODY | BRASS OR STAINLESS STEEL |
| CENTER CONTACT | BERYLLIUM COPPER |
| SPRING | STAINLESS STEEL |
| INSULATOR | PTFE |
| GASKET | SILICONE |
| PLATING | |
| BODY | GOLD OR PASSIVATED |
| CENTER CONTACT | GOLD |
| SPRING | GOLD |



Straight Bulkhead Plugs

■ Crimp Type

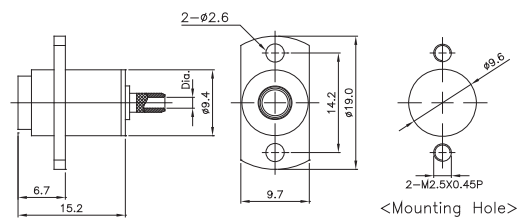
| PART NO. | Dia. | CABLE |
|----------|-----------------|-----------|
| S590-001 | Ø1.55 (Ø1.7) | RG 316 |
| S590-002 | | RG 316/D |
| S590-003 | Ø3.1 | RG 58 C/U |



Straight Bulkhead Plugs

■ Direct solder type

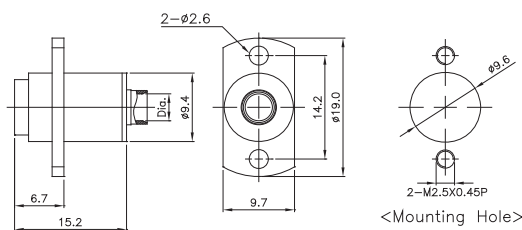
| PART NO. | Dia. | CABLE |
|----------|------|----------------|
| S590-004 | Ø1.4 | UT 047 |
| S590-005 | Ø2.3 | UT 085, RG 405 |
| S590-006 | Ø3.7 | UT 141, RG 402 |



Straight Float Mount 2 Hole Jacks

■ Crimp Type

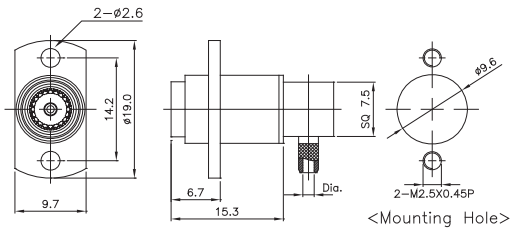
| PART NO. | Dia. | CABLE |
|----------|-----------------|-----------|
| S590-007 | Ø1.55 (Ø1.7) | RG 316 |
| S590-008 | | RG 316/D |
| S590-009 | Ø3.1 | RG 58 C/U |



Straight Float Mount 2 Hole Jacks

■ Direct solder type

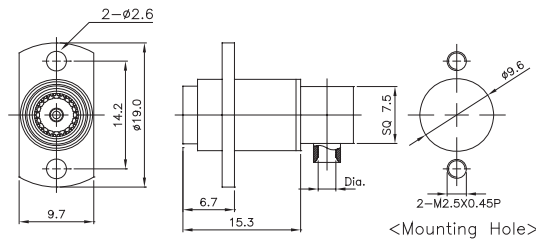
| PART NO. | Dia. | CABLE |
|----------|------|----------------|
| S590-010 | Ø1.4 | UT 047 |
| S590-011 | Ø2.3 | UT 085, RG 405 |
| S590-012 | Ø3.7 | UT 141, RG 402 |



Right Angle Float Mount 2 Hole Jacks

■ Crimp Type

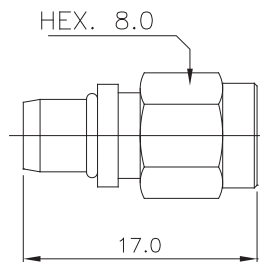
| PART NO. | Dia. | CABLE |
|----------|--------------|-----------|
| S590-013 | Ø1.55 (Ø1.7) | RG 316 |
| S590-014 | | RG 316/D |
| S590-015 | Ø3.1 | RG 58 C/U |



Right Angle Float Mount 2 Hole Jacks

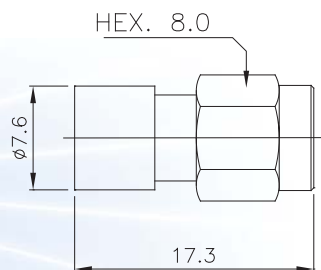
■ Direct solder type

| PART NO. | Dia. | CABLE |
|----------|------|----------------|
| S590-016 | Ø1.4 | UT 047 |
| S590-017 | Ø2.3 | UT 085, RG 405 |
| S590-018 | Ø3.7 | UT 141, RG 402 |



BMA Plug to SMA Plug Adaptor

| PART NO. | IMPED |
|----------|-------|
| S590-019 | 50 Ω |



BMA Jack to SMA Plug Adaptor

| PART NO. | IMPED |
|----------|-------|
| S590-020 | 50 Ω |